

“Get The Wood Out!”®

VBUCK®

U.S. PAT. 5,996,293 & 6,070,375
Canadian PAT. 2,255,256

Instructions

Cut • Connect • Brace • Install

for

Insulating Concrete Form Buildings

1-888-57-VBUCK • www.vbuck.com

V i n y l T e c h n o l o g i e s I n c .

Congratulations!

You have just joined a team of quality Insulating Concrete Form (ICF) builders who use the VBUCK® vinyl window block-out and bracing system.

By using the VBUCK ®system you will:

- Save time and labor.
- Improve the street appeal of your building projects.
- Enjoy using the simplest window block-out available in all the shapes and sizes you can envision.
- Decrease call-backs due to issues associated with using wood.
- Confidently say, “No hazardous chemicals will leach into surrounding soils.”

Before using the VBUCK® system, please read and follow all instructions.

Porc says,

“Always remember to practice shop safety rules.”



®

- Wear safety glasses and gloves when working with the VBUCK brand system.
- Follow your manufacturer’s safety guidelines when using any power tool.
- Follow **all** assembly, bracing and installation instructions for all VBUCK brand products.

**VBUCK Brand products are owned and manufactured by,
or licensed to, Vinyl Technologies Inc., Logan, Utah.**

1-888-57-VBUCK • www.vbuck.com

Frequently Asked Questions

What sealants can I use with VBUCK?

Most conventional sealants (silicone or latex) are compatible with the VBUCK brand system. If unsure, test in an inconspicuous area for compatibility.

How do I seal off chambers when pouring concrete?

Use an expanding foam product or duct tape to seal the top of vertical struts prior to pour. This will prevent the chamber from filling with concrete or water. If water gets into the chamber, drill weep holes at the bottom of each strut. If concrete gets into the cells, it will be difficult to attach the window or door.

How do I attach windows when using the VBUCK system?

Attach window of choice according to window manufacturer's instructions. Use #8, 1^{7/8}" K-lath or TEK self drilling fasteners (part # 10682-00498) to secure windows.

How can I get additional support for heavy doors?

For additional support, insert cellular PVC (part # 2536) into applicable chambers.

Where can I go for technical assistance?

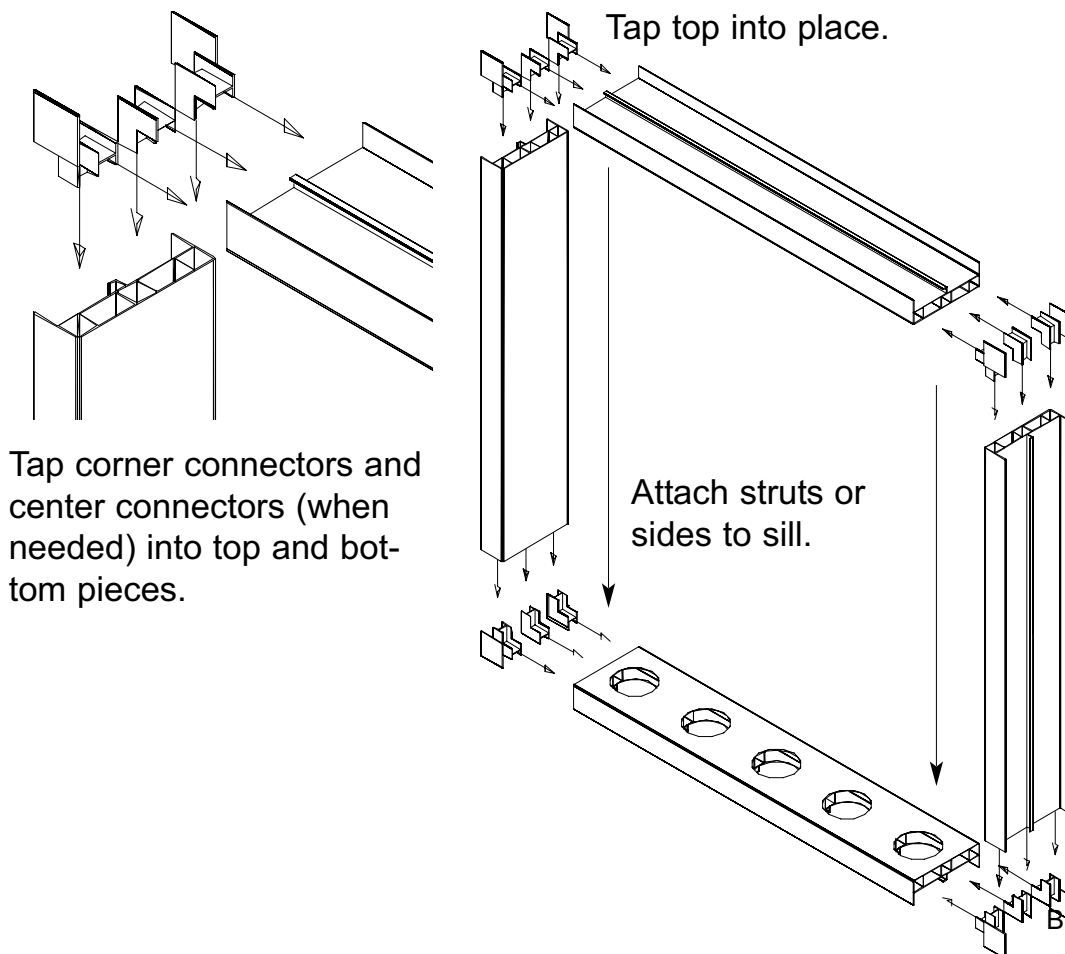
Call us at 1-888-57-VBUCK (1-888-578-2825) 8:00 am to 5:00 pm Mountain Time and please visit our website, www.vbuck.com for product updates and tips from other VBUCK® users.

Assembly

Tools and fasteners

- Power sliding miter saw or circular saw
- Power drill
- Level
- Square
- 1/2" self-drilling fasteners (part # 32123)
- #8, 1 7/8" K-lath or Tek self drilling fasteners (part # 10682-00498)

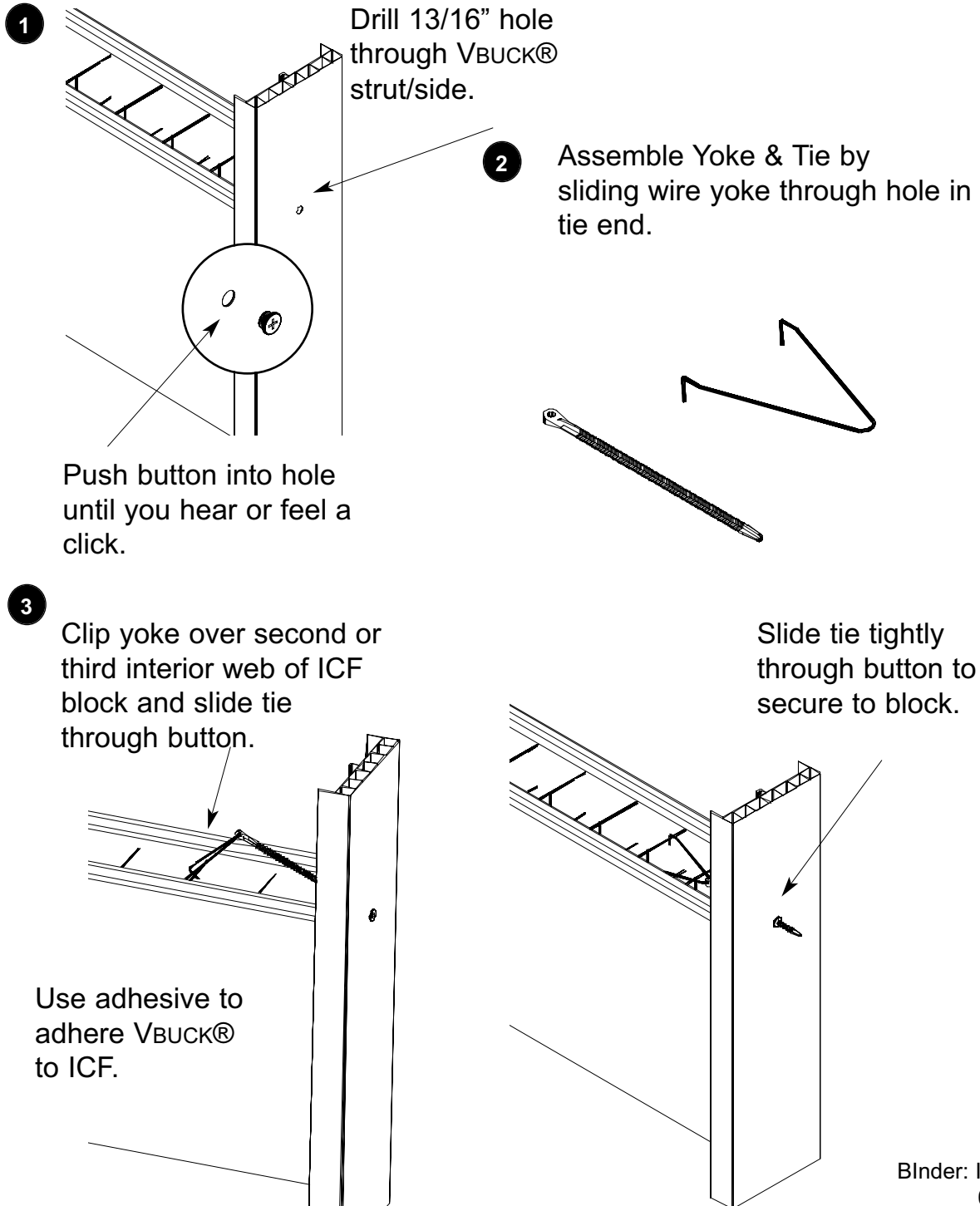
Using a power sliding miter saw or circular saw, cut lineal to rough opening (R/O) size. Insert eight (8) corner connectors and four (4) center connectors for VBUCK® greater than 8" wide. Square and brace by using the VBUCK brand bracing system.



Installation

When installing VBUCK®, complete the bracing process by attaching the VBUCK brand Yoke & Tie or double Yoke & Tie system to side members of block-out. For best results, follow all bracing instructions .

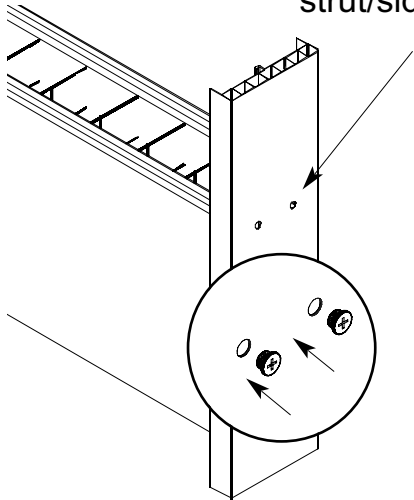
Single Yoke & Tie Assembly



Double Yoke & Tie Assembly

1

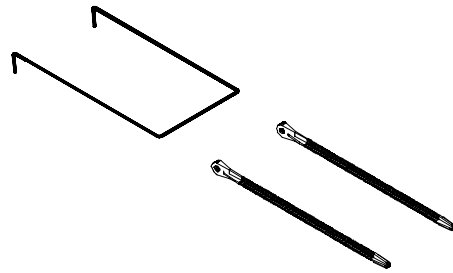
Drill 2, 13/16" holes through VBUCK® strut/side.



Push buttons into holes until you hear or feel a click.

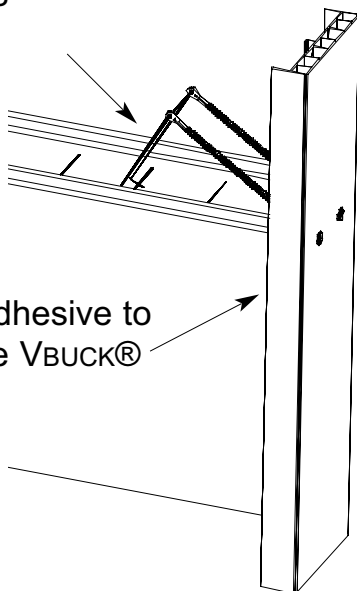
2

Assemble Yoke & Ties by sliding wire yoke through hole in tie end.



3

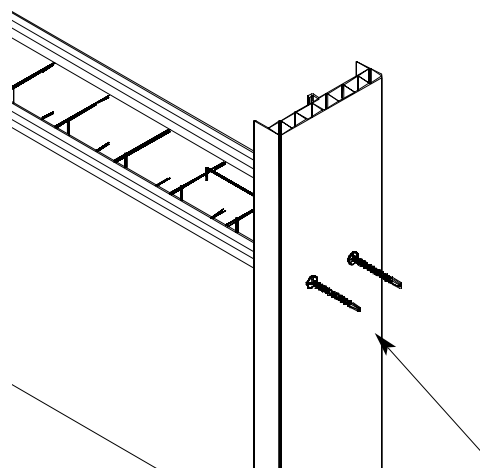
Clip yoke over second or third interior web of ICF block and slide ties through buttons.



Use adhesive to adhere VBUCK® to ICF.

4

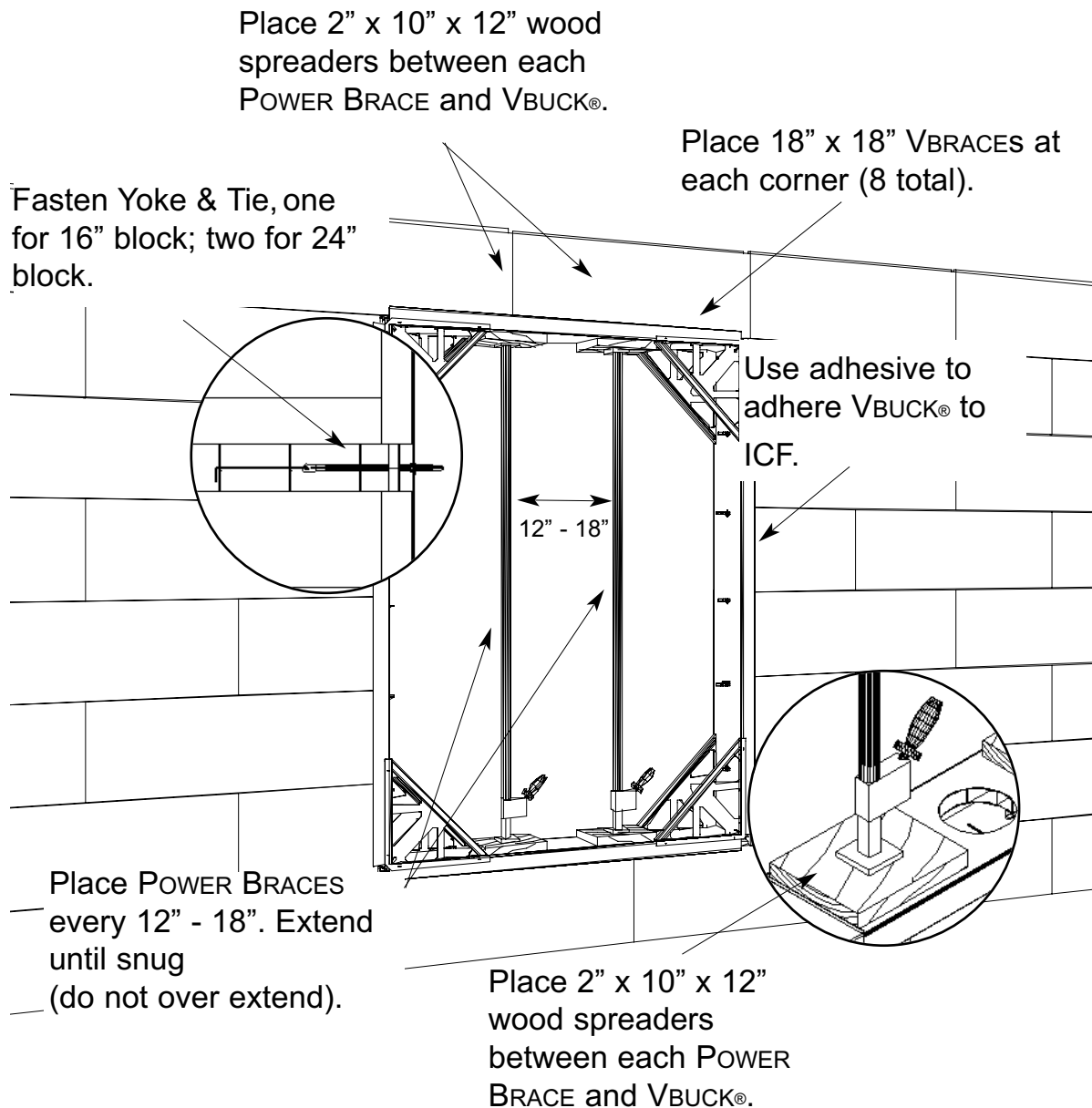
Slide tie tightly through button to secure to block.



VBUCK® Bracing Instructions

With Yoke & Tie

Windows: Assemble VBUCK® to R/O size, attach VBRACE to each corner with self drilling fasteners and insert into ICF block. Use Power Brace (every 12"-18" on center) if opening is larger than four (4) feet. Fasten VBUCK® Yoke & Tie on side pieces one for 16" block and two for 24" block. When using VBUCK® measuring 12" or wider use the VBUCK brand double Yoke & Tie.

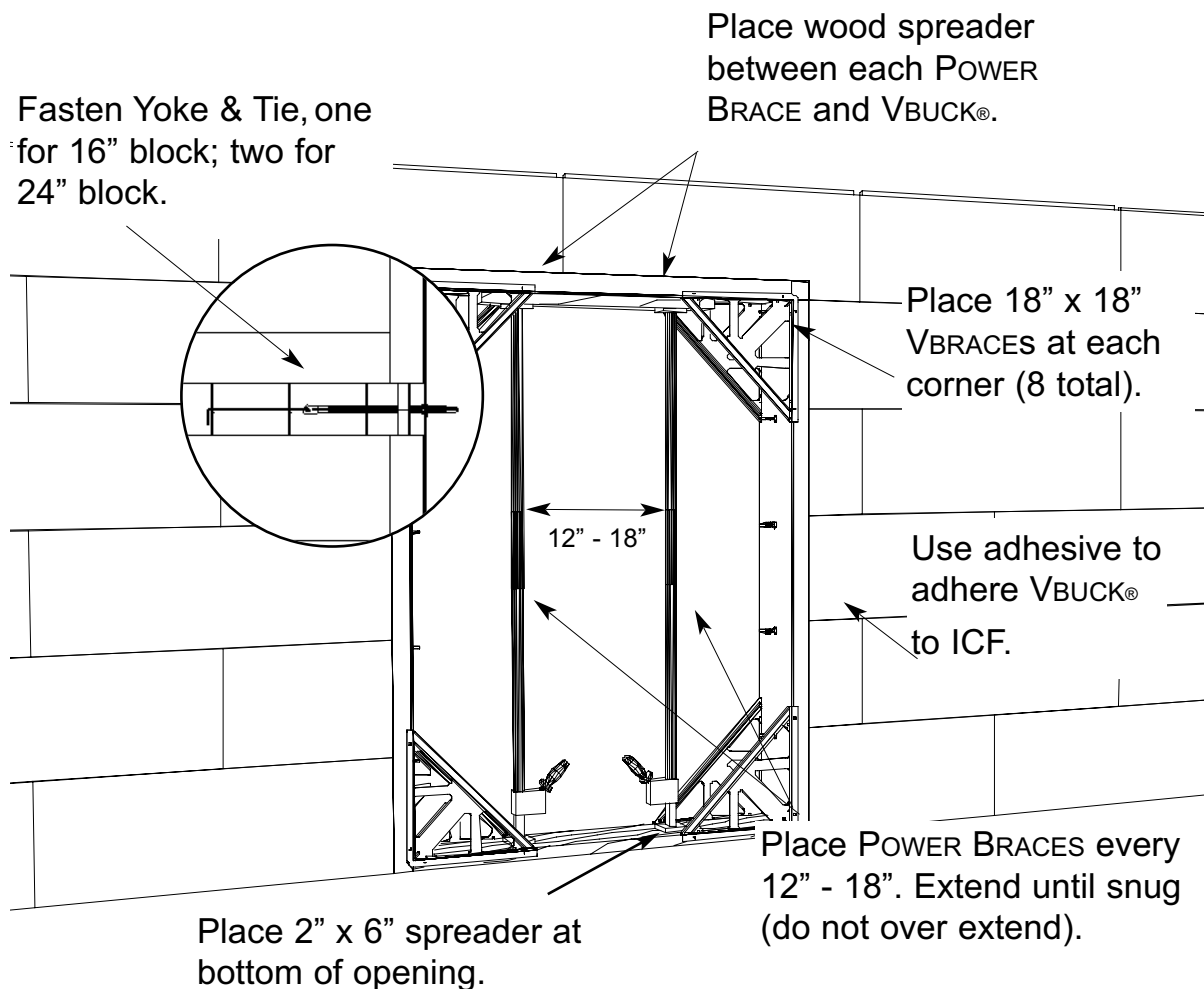


Single Yoke & Tie Window Bracing Example

VBUCK® Bracing Instructions

For Doors With Yoke & Tie

Doors: Assemble VBUCK® to R/O size, attach VBRACE to each corner with self-drilling fasteners and insert into ICF block. Use Power Brace (every 12"-18" on center) if opening is larger than four (4) feet. Fasten VBUCK® Yoke & Tie on side pieces one for 16" block and two for 24" block. When using VBUCK® measuring 12" or wider use the VBUCK brand double Yoke & Tie.

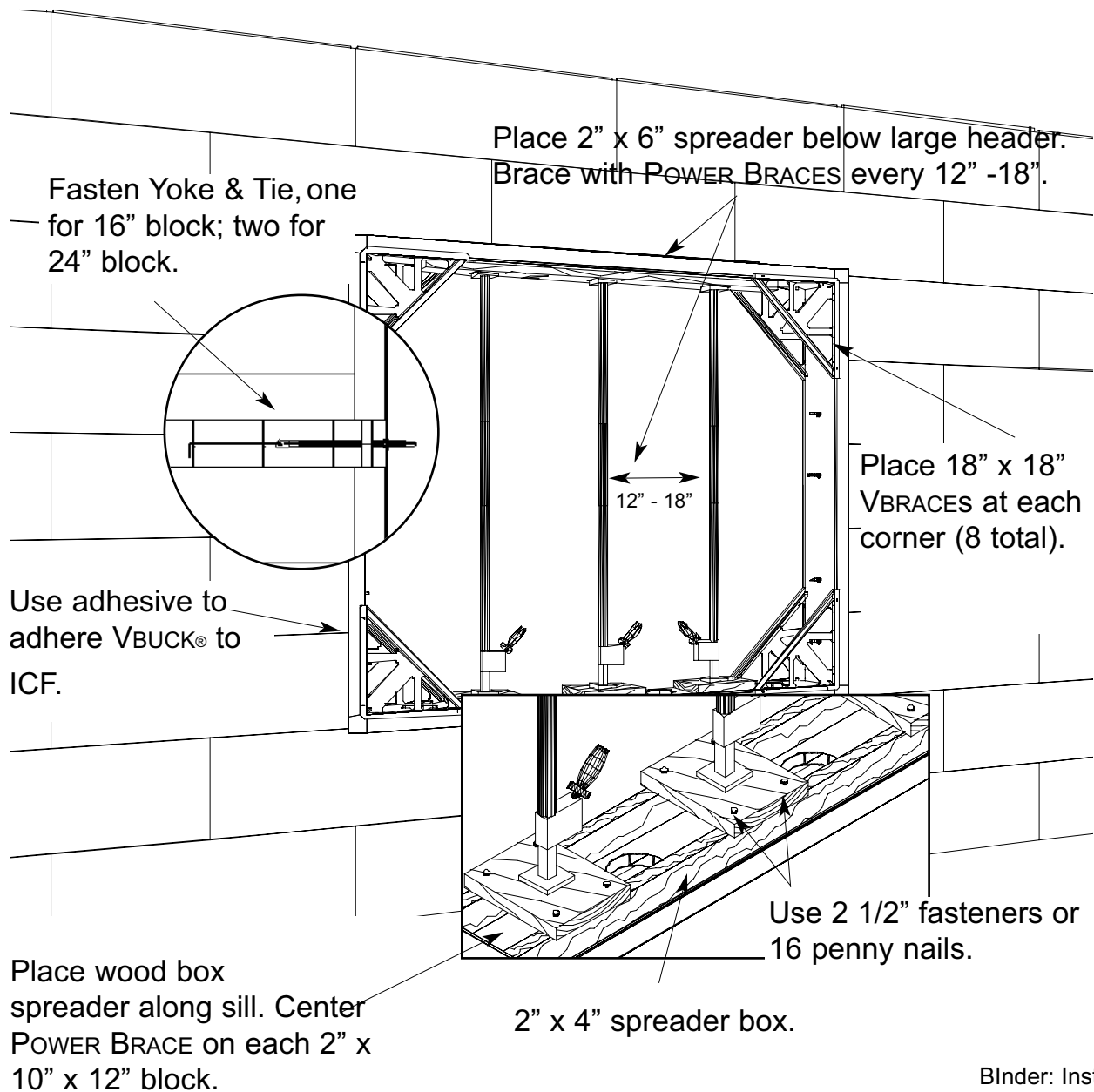


Single Yoke & Tie Door Bracing Example

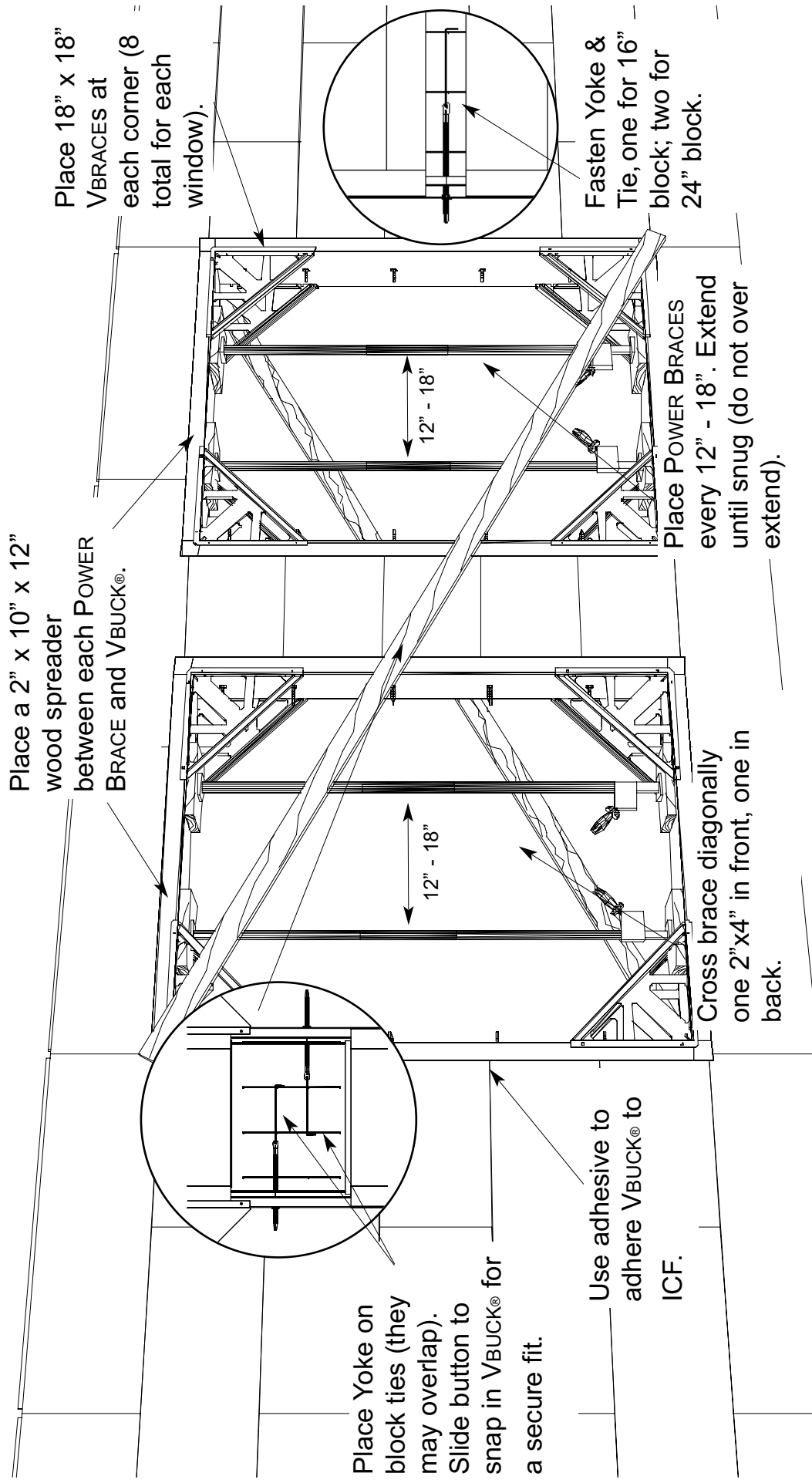
VBUCK® Bracing Instructions

When Pouring Large Headers

Windows and Doors: Assemble VBUCK® to R/O size, attach VBRACE to each corner with self-drilling fasteners and insert into ICF block. Use POWER BRACE (every 12"-18" on center) if opening is larger than four (4) feet. Fasten VBUCK® Yoke & Tie on side pieces one for 16" block and two for 24" block. When using VBUCK® measuring 12" or wider use the VBUCK® brand double Yoke & Tie. In order to spread concrete load, build spreader box using 2 x 4s on each side of sill, fastening 2 x 6 x 10 blocks between each CRP for POWER BRACE installation.

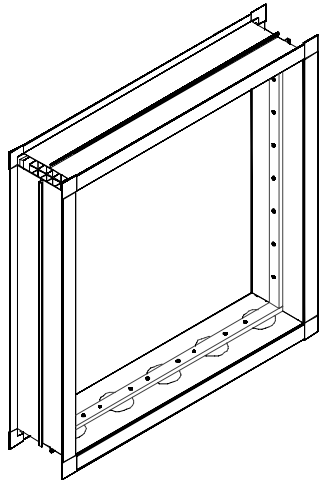


VBUCK® Bracing Instructions for Windows in a Series

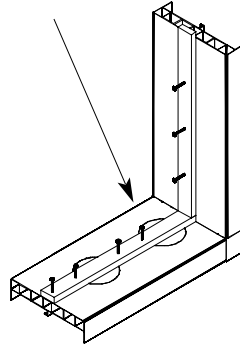


Recessed Windows

For recessed windows fasten cellular PVC at desired depth using self-drilling fasteners. Install window as per window manufacturer's instructions.



Recessed Windows — Fasten cellular PVC window stop at desired depth using self drilling fasteners every 4”.



Important Notices

Pouring Concrete:

For best results, *the slump should not be more than 6 and the pour rate should follow ACI 318-05/318R-05 guidelines* . Pump concrete into trough or pre-drilled holes (CRP) in window sill prior to pouring sides or lintel.

Customer Responsibilities:

Every effort has been made to ensure that this product will perform for nearly all openings in either residential or commercial construction. It is your responsibility to follow all written and illustrated instructions for block-out assembly and bracing. If your particular opening is not typical, please contact our office for more information.

Material Movement:

Much like wood, a small amount of movement was anticipated in the engineering of this product. Build rough openings to allow for this movement.

Material Color:

VBUCK® will vary in color because our product is made from either virgin or re-grind PVC. This does not affect the quality of the product.